

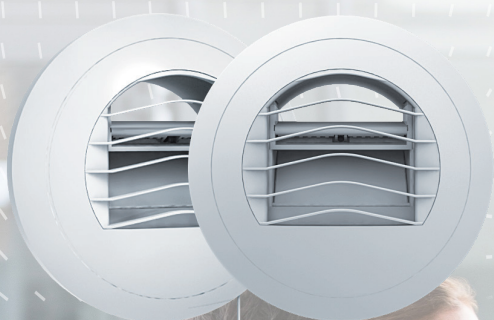
SELF-REGULATING
EXHAUST VENTS
Additional temporized flow controlled

anjos

inspirer le bien-être

ALIZÉ AUTO DOUBLE FLOW with or without tempo

Cord - 230V - Batteries



ALIZÉ AUTO DOUBLE FLOW with or without Tempo

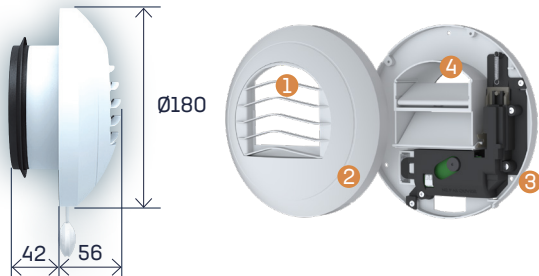
- Meet applicable regulatory requirements
- Additional temporized flow (30 minutes) controlled
- Detachable control module for easy cleaning
- Made of white polystyrene with removable grille.

Presentation

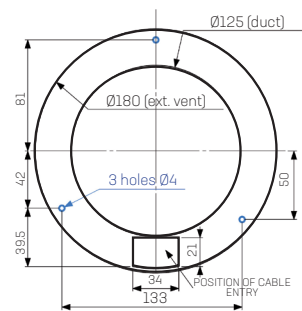
Designed to equip the MEV installations of housing, ALIZÉ AUTO TEMPO range of self-regulating double-flow kitchen exhaust air valves is used in conjunction with ALIZÉ AUTO single-flow exhaust air valves for sanitary rooms.

Components

ALIZE AUTO vents measure 180 mm in diameter and 58 mm thick.



- 1 Removable grille
- 2 Valve body
- 3 Support plate with collar, lip gasket
- 4 Control module



Operation

The rigid damper ensures a specific extraction rate across a pressure range of 50 to 160 Pa.

Installation

Wall mounting

In walls, the vents push-fit directly into dia. 125 mm flexible or rigid ducts or dia. 125 mm bonded collars.

The lip gasket ensures a tight seal and fit.

Code 1793

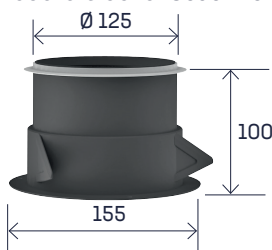


Ceiling mounting

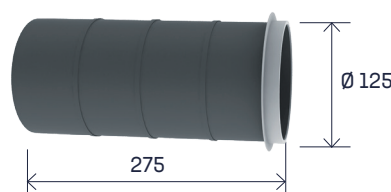
In ceiling, the valves may be fitted onto 3-pronged plasterboard sleeves, or onto either dia. 125 mm ceiling embedded sleeves.

In the case of ceiling-mounted kitchen exhaust valves, a cord guide must be fitted between the wall and each valve.

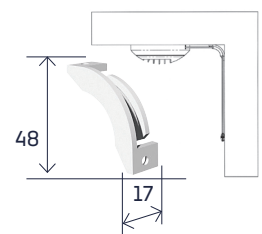
dia. 125 mm three-pronged plasterboard sleeve: Code 1794



Plastic sleeve for penetrating slabs: Code 1796

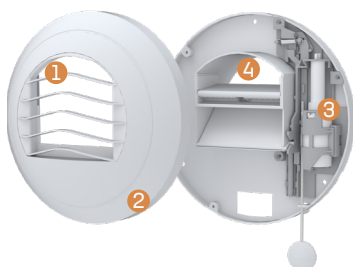


Cord guide: Code 1791



Maintenance

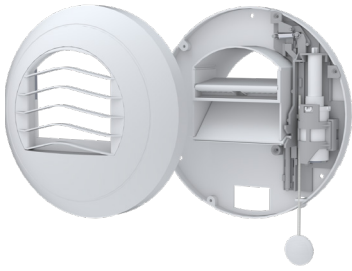
It is important to regularly clean (at least twice a year) ALIZÉ AUTO TEMPO DOUBLE-FLOW extract vents to ensure peak efficiency.



- Taking out the casing vent (2) of the mounting plate (3) and control module (4) from valve body
- The valve's support (3) linked to the duct must not be touched. The elements on it do not need any cleaning.
- Wash the valve body (2) with grille (1) and control module (4) with soapy water then rinse
- Put the control module back (4).
- Put the casing vent on the valve's support



ALIZÉ AUTO TEMPO DOUBLE FLOW with pull cord



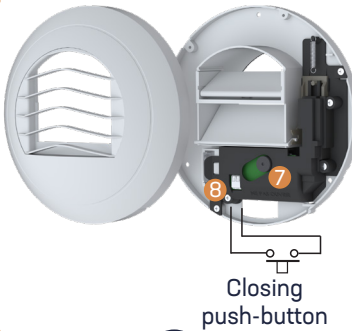
Cord operated:

For ceiling mounted vents, a corner adapter is required to guide the cord.

We recommend screwing the vent's support plate to the wall or ceiling using the 3 holes provided on the plate (it is not necessary to disassemble the valve for routine servicing purposes).



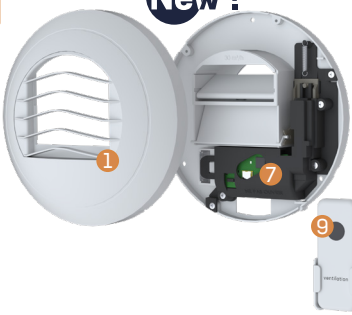
ALIZÉ AUTO TEMPO DOUBLE FLOW battery and ALIZÉ BLUE AUTO TEMPO DOUBLE FLOW battery



Closing push-button

Battery-powered operation with push-button control:

The battery-powered **ALIZÉ AUTO TEMPO** air exhaust vent is connected to the push button by a flush-mounted two-wire cable exiting at the rear of the mounting plate **8** (see the mounting plate diagram opposite). The wires are connected to the terminal block. The vent is powered by two 1.5 V batteries. A pulse on the normally closed push button creates a contact that triggers the opening of the vent to the maximum exhaust airflow.



New !

Battery-powered operation with remote control:

To pair the **ALIZÉ BLUE** vent with its remote control, start by removing the grille and the battery holder from the vent. Then press and hold the remote control button; a red LED lights up to indicate activation. While keeping the button pressed, insert the batteries into the vent and wait for the valve flap to open. Once this step is completed, release the button: pairing is complete.

2 batteries 1,5 V type LR6 (**ALIZÉ AUTO TEMPO** and **BLUE**)

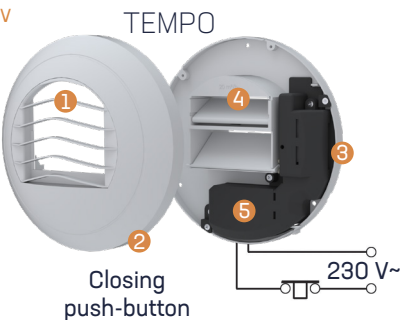
After removing the vent body **1**, unscrew the retaining screw of the battery cover **7** then unclip it in order to insert the two batteries, observing the indicated polarity.

At the first power-up, both valves will perform an open/close cycle. The batteries must be replaced when a series of five beeps is emitted during opening of the flap: remove the grille **1** to access the battery holder.



230 V

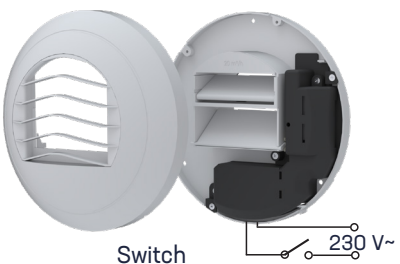
ALIZÉ AUTO TEMPO DOUBLE FLOW elec (230 V) and ALIZÉ AUTO DOUBLE FLOW without TEMPO elec (230 V)



Closing push-button

230 V power supply TEMPO push-button control: The vent is continuously powered via a normally closed contact. A pulse causes a power supply interruption, triggering opening at maximum airflow (delay: approx. 40 seconds).

Without TEMPO



Switch

230 V power supply without TEMPO switch control: The vent is powered via a switch. The boost airflow opens when the power supply is switched on (opening time approximately 40 seconds). The boost airflow closes when the power supply is switched off (closing time approximately 100 seconds).

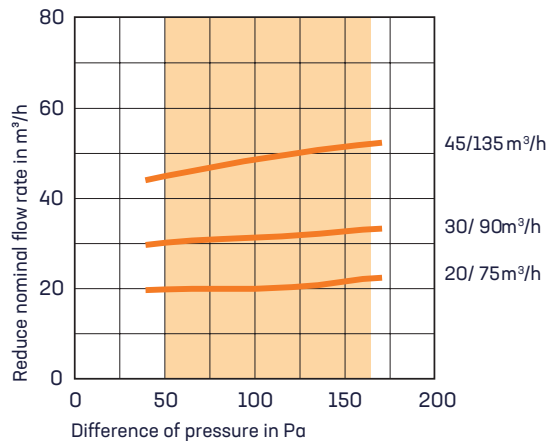
230 V power supply TEMPO and without TEMPO : The 230 V~ power supply is provided via a two-wire cable (2 x 1.5 mm²) to be flush-mounted behind the mounting plate (see diagram) and must include a suitable protective device identified on the electrical distribution board. Class II electrical appliance.

After removing the vent body, remove the screwed cover. The wires pass through the rear cable entry and are connected to the terminal block. The mounting plate must be securely fixed to the wall. At initial power-up, the valve switches to maximum exhaust airflow.

Before carrying out any work, switch off the power supply at the electrical distribution board (the timer remains powered). The power supply is controlled by a normally open push button dedicated to this purpose.

Characteristics

Air flow



Acoustic

These valves are characterised by their standardised sound performance $D_{n,e,w}$ (C) and sound power level (Lw), which have been measured in accordance with EN 13141-2.

ALIZÉ AUTO TEMPO	Lw in dB(A)				$D_{n,e,w}$ (C) dB
	70 Pa	100 Pa	136 Pa 	160 Pa	
20/75 m³/h	24	29	33	36	55
30/90 m³/h	25	29	35	37	53
45/135 m³/h	31	34	38	39	53

Values from CETIAT
test report

Certified values

45/105 and 45/120 flow rates: take
the values for the 45/135 valve

Test reports

CETIAT* test report n°1114119

*Centre Technique des Industries Aérouniques et Thermiques

Prices

Extract Vents

Designation	Packg.	Code
ALIZÉ AUTO TEMPO 20/75 m³/h with pull cord	12	2041
ALIZÉ AUTO TEMPO 30/90 m³/h with pull cord	12	2042
ALIZÉ AUTO TEMPO 45/105 m³/h with pull cord	12	2043
ALIZÉ AUTO TEMPO 45/120 m³/h with pull cord	12	2044
ALIZÉ AUTO TEMPO 45/135 m³/h with pull cord	12	2045
ALIZÉ AUTO TEMPO 20/75 m³/h battery (3 Volts)	12	2061
ALIZÉ AUTO TEMPO 30/90 m³/h battery (3 Volts)	12	2062
ALIZÉ AUTO TEMPO 45/105 m³/h battery (3 Volts)	12	2063
ALIZÉ AUTO TEMPO 45/120 m³/h battery (3 Volts)	12	2064
ALIZÉ AUTO TEMPO 45/135 m³/h battery (3 Volts)	12	2065
ALIZÉ BLUE AUTO TEMPO 20/75 m³/h battery (3 Volts)*	12	2081
ALIZÉ BLUE AUTO TEMPO 30/90 m³/h battery (3 Volts)*	12	2082
ALIZÉ BLUE AUTO TEMPO 45/105 m³/h battery (3 Volts)*	12	2083
ALIZÉ BLUE AUTO TEMPO 45/120 m³/h battery (3 Volts)*	12	2084
ALIZÉ BLUE AUTO TEMPO 45/135 m³/h battery (3 Volts)*	12	2085
ALIZÉ AUTO TEMPO 20/75 m³/h elec (230 Volts)	12	2051
ALIZÉ AUTO TEMPO 30/90 m³/h elec (230 Volts)	12	2052
ALIZÉ AUTO TEMPO 45/105 m³/h elec (230 Volts)	12	2053
ALIZÉ AUTO TEMPO 45/120 m³/h elec (230 Volts)	12	2054
ALIZÉ AUTO TEMPO 45/135 m³/h elec (230 Volts)	12	2055
ALIZÉ AUTO without tempo 20/75 m³/h elec (230 Volts)	12	2071
ALIZÉ AUTO without tempo 30/90 m³/h elec (230 Volts)	12	2072
ALIZÉ AUTO without tempo 45/105 m³/h elec (230 Volts)	12	2073
ALIZÉ AUTO without tempo 45/120 m³/h elec (230 Volts)	12	2074
ALIZÉ AUTO without tempo 45/135 m³/h elec (230 Volts)	12	2075

*New release Alizé BLUE : Remote control and holder included

Accessories

Designation	Packg.	Code
Batteries, 1.5 V LR6 (pack of 4)	1	1784
Remote control for ALIZÉ BLUE	1	1748
Open/close pushbutton for elec. operation (230 V or batteries)	18	1790
Corner adapter cord guide for cord operated ceiling vents	10	1791
White grille for Alizé Auto Tempo Vent	10	1930
Adapter (plastic) Ø125, L.50 mm	75	1792
Adapter (plastic) Ø125, L.65 mm with seal	50	1793
Drywall 3-claw adapter Ø125, L.100 mm (with duct support seal)	30	1794
Through-slab plastic adapter Ø125, L.275 mm (with duct support seal)	16	1796