

ROOF VENTS

anjos

inspirer le bien-être

CARA

Ø 125 • 160 mm

Plastic

Air supply and exhaust

Two colours: terracotta or slate



CARA

- Malleable lead flashing for easy installation
- Plastic cover and connection pipe
- Choice of two colours: terracotta or slate

Presentation

CARA roof vents supply and exhaust air in systems that use mechanical extract ventilation (single and dual flow MEV systems, cooker hoods).



CARA roof vents fit on virtually any tile or slate roof and feature malleable lead flashing to prevent water penetration. They are available in two colours: terracotta or slate.

Terracotta



Slate



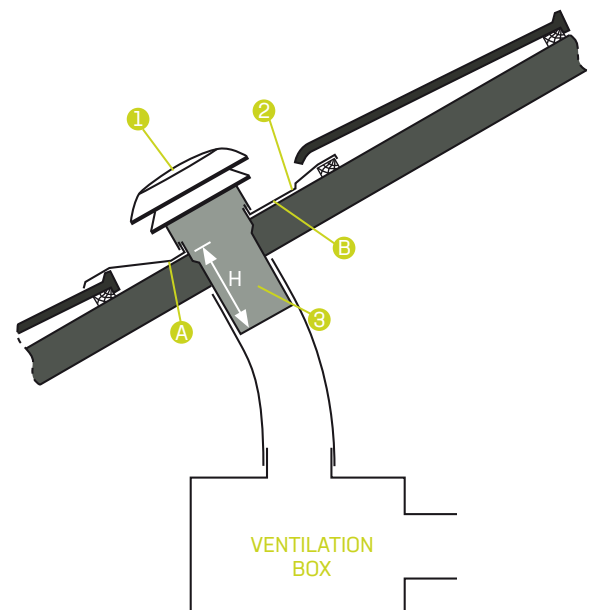
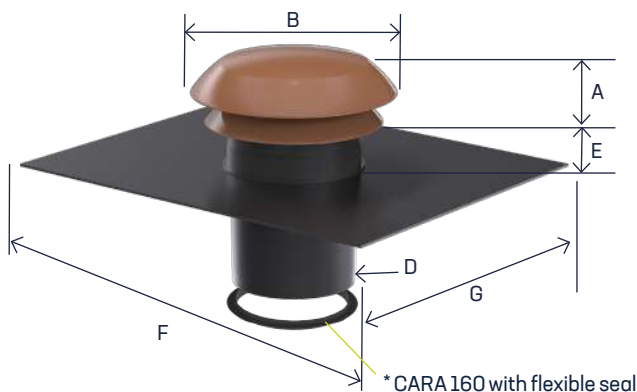
Installation

Shape the lead flashing ² by moulding it against the surface of the roof (avoid pressing on the edges of the crimping). In the case of a tile roof, lay shims in the direction of the battens to support the lead flashing at points ^A and ^B. The sheath ³ that fits into the vent pipe is rigidly connected to the malleable lead flashing ².
Precautions for use:
It is important to check the seals between the pipe and the ventilation box and the pipe and the roof vent.



Water may leak in through the roof vents if they are fitted on roofs exposed to wind loads and are used to supply air or are used intermittently. It is therefore important to check the seals between the pipe and the ventilation box and the pipe and the roof vent.

- ① Rain cap
- ② Lead flashing
- ③ Connection pipe



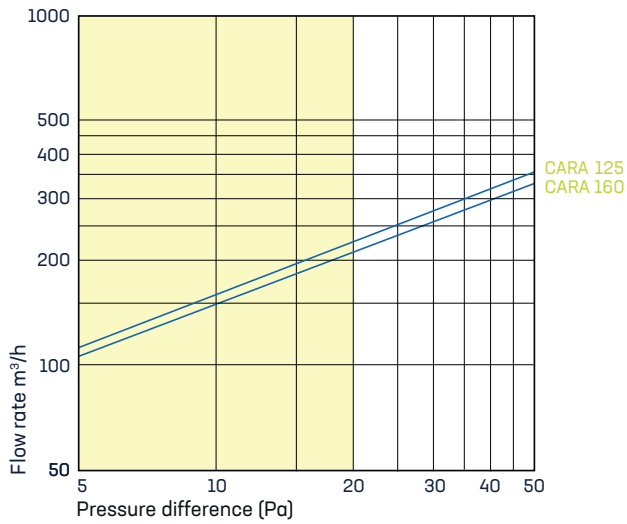
	A (mm)	B (mm)	D (mm)	E (mm)	F (mm)	G (mm)	H (mm)	Weight (kg)
CARA125	81	241	125	53	500	400	140	3,4
CARA160*	81	241	150	53	500	400	140	3,4

Characteristics

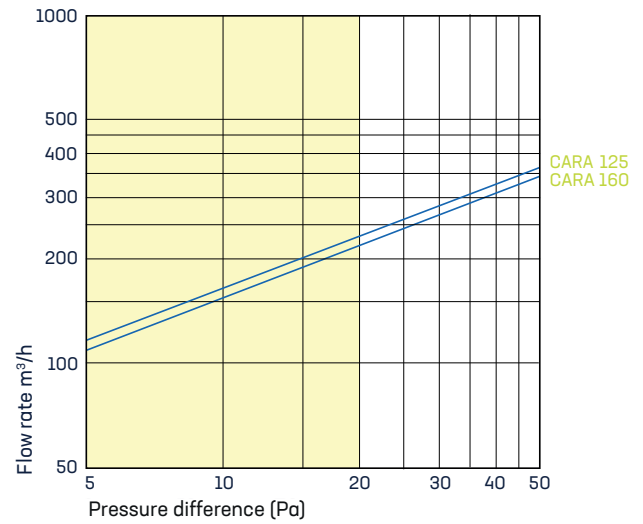
Airflow

Changes in the flow rates as a function of the pressure differential, expressed in Pascals.

Exhaust air



Supply air



CETIAT* test reports 2330873

*Centre Technique des Industries Aérodynamiques et Thermiques (Technical Center for Air and Thermal Industries)

The recommended maximum flow rates for the roof vents are set at 20 Pa.

	Flow rate 20 Pa in m³/h	
	Air exhaust	Air supply
CARA 125	225	230
CARA 160	210	215

Product codes

Description	Code	Packg.
CARA 125 terracotta	6022	54
CARA 160 terracotta	6024	54

Description	Code	Packg.
CARA 125 slate	6027	54
CARA 160 slate	6029	54



anjos

01230 TORCIEU – Tél. : +33 (0)4 74 37 44 44

anjos.com