

TAMPER-PROOF
EXHAUST VALVE ASSEMBLIES

anjos

inspirer le bien-être

BES

Ø 125 - 160 - 200 mm

Made in metal
Mounting with metal collar



BES

- Assembly comprising:
 - one BES valve : lacquered white perforated plate welded to a 154 mm long sleeve
 - collar with four mounting holes
- Made in metal
- Three models: dia. 125, 160 or 200 mm
- Can be associated with a RDR flow regulator

Presentation

The BES exhaust valve is intended for extraction in rooms where the extract vent must not be able to be dismantled.

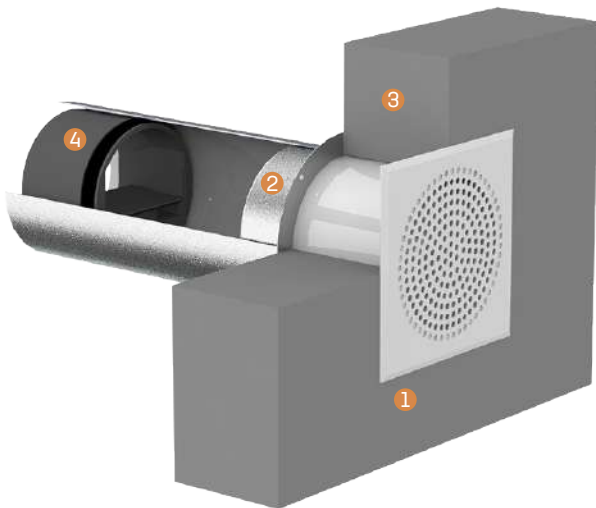
Assembly can be associated with a RDR flow regulator placed inside ducts.



The BES exhaust valve is made in white lacquered metal composed of a plate welded on a sleeve in association with a metal collar that fits on the latter.

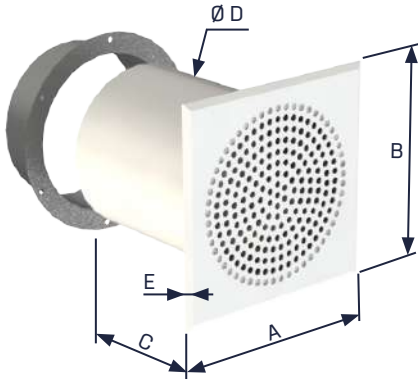
Assembly can be associated with a flow regulator such as RDR placed in the duct.

Components



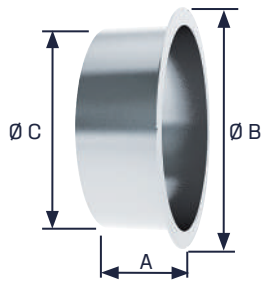
- 1 BES vent = lacquered white Perforated plate welded to a sleeve
- 2 Galvanised steel collar with four mounting holes
- 3 Wall
- 4 RDR flow regulator

Dimensions



BES

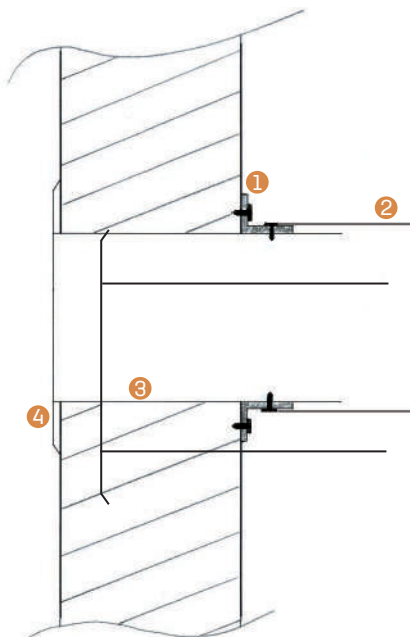
BES	A (mm)	B (mm)	C (mm)	Ø D (mm)	E (mm)
Ø125	165	165	154	120	3
Ø160	210	210	154	155	3
Ø200	240	240	154	195	3



Collar

Collar	A (mm)	Ø B (mm)	Ø C (mm)
Ø125	47	144	123
Ø160	51	184	158
Ø200	52	221	198

Installation

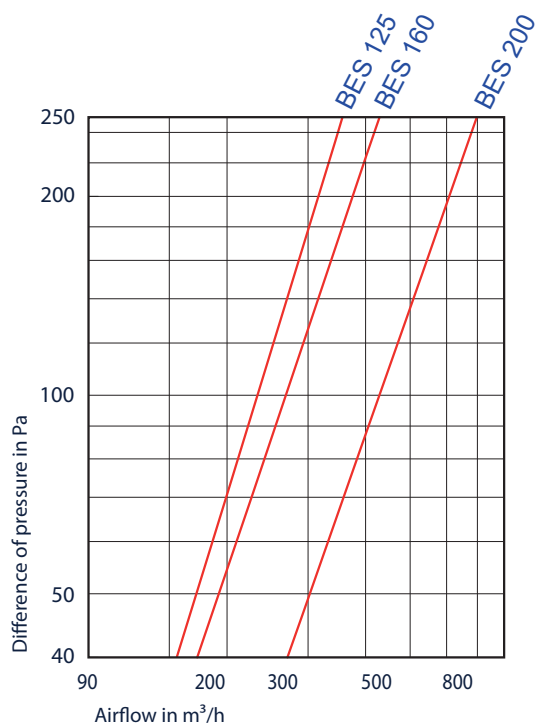


Install the plate and sleeve in a through-wall penetration. Then fasten the collar to both the wall and the sleeve to lock the assembly in place. The duct is then connected to the sleeve.

- 1 Collar with four mounting holes
- 2 Duct
- 3 Sleeve
- 4 Plate

Characteristics

Pressure-flow



The chart opposite given the total pressure drops of the valves (Pa) as a function of the flow rate (m³/h).

Product codes

Description	Code
Security extract vent BES Ø 125	1011
Security extract vent BES Ø 160	1013
Security extract vent BES Ø 200	1014

Description	Code
dia. 125 mm collar with 4 mounting holes (L: 47 mm)	1164
dia. 160 mm collar with 4 mounting holes (L: 51 mm)	1169
dia. 200 mm collar with 4 mounting holes (L: 52 mm)	1174