

NATURAL VENTILATION
AIR VENTS

anjos

inspirer le bien-être

GA / GO

Louvred / adjustable

Plain/anodised aluminium

Aluminium with white/gold finish



GA and GO

- 1 mm aluminium
- GA vents: four 4 mm pre-drilled mounting holes
- GA vents: may be fitted with a bonded fly screen (GAM)
- GO adjustable vents: installation in walls or on door/window frames

Presentation

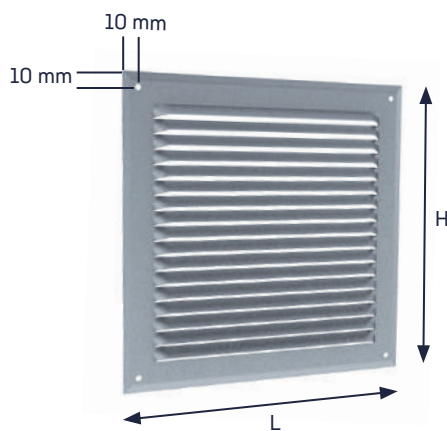
Our louvred (GA) and adjustable (GO) air vents are available in a variety of finishes: plain aluminium (AL), anodised aluminium (AN), aluminium with white finish (DN) or aluminium with gold finish (OD).

Our adjustable vents feature a slider to partially or completely cut off the flow of air.



The following tables give, for each type of vent, the length x width, the air flow cross-section in cm², and the product codes for the standard version and for versions with fly screens (+ GAM).

Square louvred vents



Louvred vents for surface mounting on walls with screws. Optionally, our plain aluminium vents may be secured by welded clips (contact us).

When calculating the slot size, subtract 40 mm from the vent width and height.



Dimensions (mm)	Cross-section (cm ²)	Code GA AL plain aluminium		Code GA AN anodised alu		Code GA BL alu w/white finish	
		Standard	+ GAM	Standard	+ GAM	Standard	+ GAM
LxH: 100x100	20	6802	6812	6602	6612	6702	6712
LxH: 150x150	60	6803	6813	6603	6613	6703	6713
LxH: 165x165	90	6804	6814	6604	6614	6704	6714
LxH: 200x200	120	6805	6815	6605	6615	6705	6715
LxH: 210x210	175	6806	6816	6606	6616	6706	6716
LxH: 250x250	210	6807	6817	6607	6617	6707	6717

Vents with horizontal louvres



Dimensions (mm)	Cross-section (cm ²)	GA AL plain aluminium		GA AN anodised alu		GA BL alu w/white finish		GA DO alu w/gold finish	
		Standard	+ GAM	Standard	+ GAM	Standard	+ GAM	Standard	+ GAM
L x H: 140 x 50	21	6820	6840	6620	6640	6720	6740	8020	8040
L x H: 190 x 50	30	6821	6841	6621	6641	6721	6741	8021	8041
L x H: 290 x 50	45	6822	6842	6622	6642	6722	6742	8022	8042
L x H: 390 x 50	60	6823	6843	6623	6643	6723	6743	8023	8043
L x H: 140 x 80	30	6825	6845	6625	6645	6725	6745	8025	8045
L x H: 190 x 80	40	6826	6846	6626	6646	6726	6746	8026	8046
L x H: 290 x 80	70	6827	6847	6627	6647	6727	6747	8027	8047
L x H: 390 x 80	100	6828	6848	6628	6648	6728	6748	8028	8048
L x H: 200 x 100	50	6830	6850	6630	6650	6730	6750	8030	8050
L x H: 240 x 100	70	6829	6849	6629	6649	6729	6749	8029	8049
L x H: 300 x 100	85	6831	6851	6631	6651	6731	6751	8031	8051
L x H: 390 x 100	135	6832	6852	6632	6652	6732	6752	8032	8052
L x H: 165 x 140	85	6838	6858	6638	6658	6738	6758	8038	8058
L x H: 190 x 140	100	6833	6853	6633	6653	6733	6753	8033	8053
L x H: 210 x 165	120	6835	6855	6635	6655	6735	6755	8035	8055
L x H: 240 x 140	130	6834	6854	6634	6654	6734	6754	8034	8054
L x H: 240 x 165	150	6839	6859	6639	6659	6739	6759	8039	8059
L x H: 240 x 190	180	6836	6856	6636	6656	6736	6756	8036	8056
L x H: 300 x 150	150	6809	6810	6609	6610	6709	6710	8009	8010
L x H: 300 x 200	210	6837	6857	6637	6657	6737	6757	8037	8057

Vents with vertical louvres



Dimensions (mm)	Cross-section (cm ²)	GA AL plain aluminium		GA AN anodised alu		GA BL alu w/white finish		GA DO alu w/gold finish	
		Standard	+ GAM	Standard	+ GAM	Standard	+ GAM	Standard	+ GAM
L x H: 50 x 140	21	6860	6870	6660	6670	6760	6770	8060	8070
L x H: 50 x 190	30	6861	6871	6661	6671	6761	6771	8061	8071
L x H: 50 x 280	45	6862	6872	6662	6672	6762	6772	8062	8072
L x H: 100 x 200	60	6878	6879	6678	6679	6778	6779	8078	8079
L x H: 140 x 190	90	6863	6873	6663	6673	6763	6773	8063	8073
L x H: 140 x 240	115	6864	6874	6664	6674	6764	6774	8064	8074
L x H: 150 x 300	140	6880	6881	6680	6681	6780	6781	8080	8081
L x H: 165 x 210	130	6865	6875	6665	6675	6765	6775	8065	8075
L x H: 190 x 240	170	6866	6876	6666	6676	6766	6776	8066	8076
L x H: 210 x 290	255	6867	6877	6667	6677	6767	6777	8067	8077

Custom vents

Comprise two sets of louvres (width: 290 to 550 mm) or three sets of louvres (width: 650 mm).

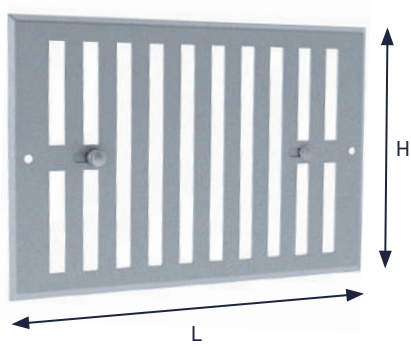
The air flow cross-section is given by the formula in the table below, where H is the height, in cm, of the vent. Example: GA AN 340 x 400 (H = 40 cm),

$$\text{Cross-section} = 17 \times (40-4) = 610 \text{ cm}^2$$



Dimensions (mm)	Cross-section (cm ²)	GA AL plain aluminium		GA AN anodised alu		GA BL alu w/white finish		GA DO alu w/gold finish	
		Standard	+ GAM	Standard	+ GAM	Standard	+ GAM	Standard	+ GAM
L x H: 290 x H	14 x (H-4)	6882	6892	6682	6692	6782	6792	8082	8092
L x H: 340 x H	17 x (H-4)	6883	6893	6683	6693	6783	6793	8083	8093
L x H: 390 x H	20 x (H-4)	6884	6894	6684	6694	6784	6794	8084	8094
L x H: 440 x H	24 x (H-4)	6885	6895	6685	6695	6785	6795	8085	8095
L x H: 550 x H	29 x (H-5)	6886	6896	6686	6696	6786	6796	8086	8096

Adjustable wall vents



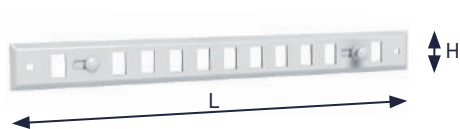
Available in six sizes.

Screw mounting on walls.
See the table below for the slot size.



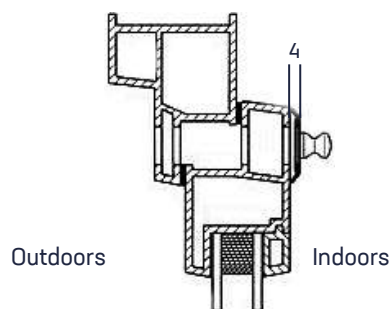
Dimensions L x H (mm)	Cross-section (cm ²)	Max. slot W x H (mm)	Mount hole centre distance (mm)	GO AL plain alu	GO AN anodised alu	GO BL alu w/white finish	GO DO alu w/gold finish
190 x 75	0/35	155 x 55	168	7102	7112	7122	7152
240 x 75	0/45	195 x 65	218	7103	7113	7123	7153
170 x 140	0/70	135 x 125	150	7108	7118	7128	7158
190 x 140	0/80	155 x 125	168	7106	7116	7126	7156
190 x 170	0/100	155 x 145	168	7104	7114	7124	7154

Adjustable vents for doors and windows



These vents are well suited for indoor installation in standard 250 x 15 mm or 354 x 12 mm slots.

They are designed to be screwed onto the indoor frame of a window or door and combined with the same external grille or canopy as used for our self-regulating trickle vents.



Dimensions L x H (mm)	Cross-section (cm ²)	Max. slot W x H (mm)	Mount hole centre distance (mm)	GO AN anodised alu	GO BL alu w/white finish
300 x 30	0/15	250 x 15	276	7110	7120
400 x 30	0/20	345 x 15	372	7111	7121