

BALANCING DAMPERS
MANUAL CONTROL

anjos

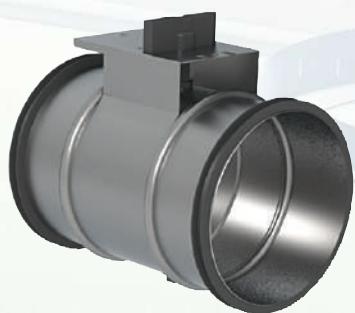
inspirer le bien-être

RRM and RRMJ

Ø 80 to 400 mm

Manual control

Gasketed connection (RRMJ)



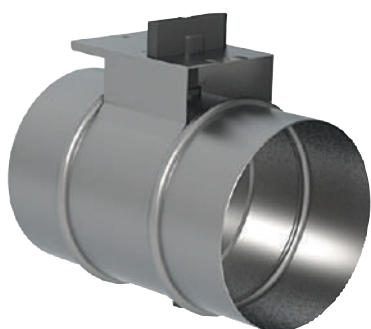
RRM and RRMJ

- Galvanised steel
- Composite adjustment knob with locking screw
- May be fitted with most commercially available motors (remove adjustment knob beforehand)

Presentation

RRM or RRMJ manual balancing dampers contain round blades to balance the flow of air in ventilation and air conditioning systems. They feature a composite adjustment knob with locking screw to lock the blade in position.

Two models of manual balancing damper are available:



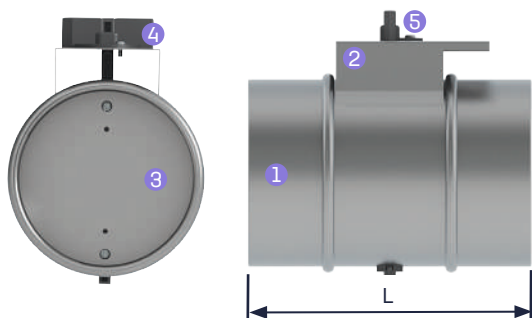
RRM damper



RRMJ damper with duct connection gaskets

Components

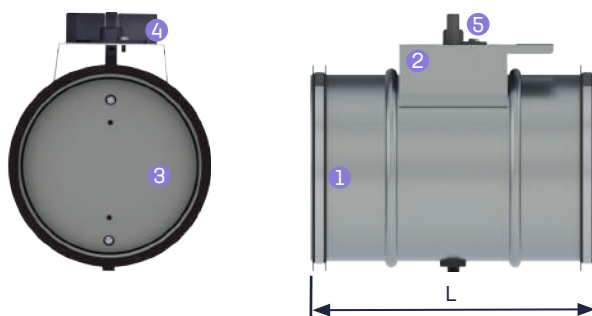
RRM damper



- 1 Galvanised steel casing (0.75 mm wall thickness) with or without gasket
- 2 Support plate
- 3 Damper
- 4 Composite adjustment knob
- 5 Knob locking screw

Maximum operating temperature: 60°C

RRMJ gasketed damper



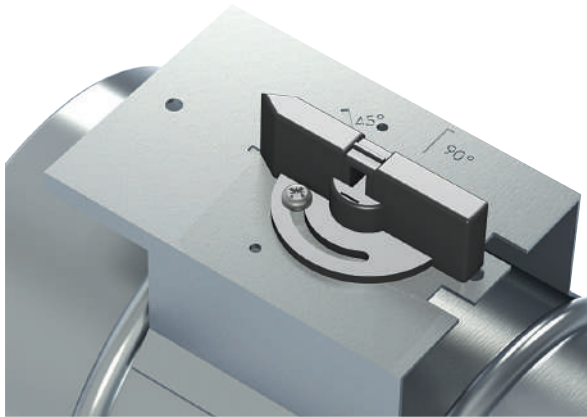
RRM and RRMJ	L (mm)
Ø 80	170
Ø 100	170
Ø 125	170
Ø 160	170
Ø 200	170
Ø 250	210
Ø 315	210
Ø 355	210
Ø 400	250

Installation

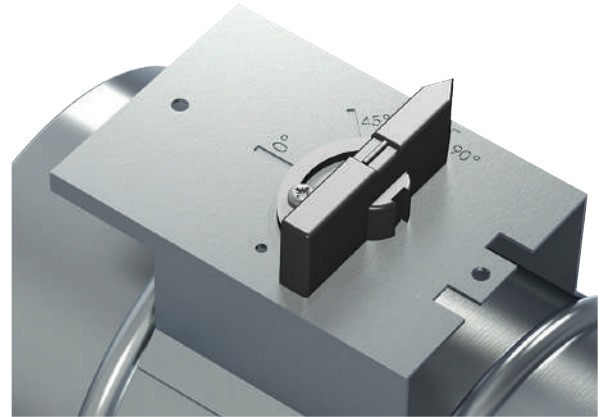
Secure the ducts to the non-gasketed dampers with mastic, adhesive tape, or clamps.
The gasketed dampers have a system airtightness class of D (EN 12237).

Adjustment: loosen the knob locking screw, turn the knob to the desired position, retighten the screw.

Original setting



0°: open



90°: closed

Characteristics

Product codes

RRM BALANCING DAMPERS

Description	Code
RRM damper - dia. 80 mm × L 170 mm	8900
RRM damper - dia. 100 mm × L 170 mm	8901
RRM damper - dia. 125 mm × L 170 mm	8902
RRM damper - dia. 160 mm × L 170 mm	8904
RRM damper - dia. 200 mm × L 170 mm	8905
RRM damper - dia. 250 mm × L 210 mm	8906
RRM damper - dia. 315 mm × L 210 mm	8907
RRM damper - dia. 355 mm × L 210 mm	8908
RRM damper - dia. 400 mm × L 250 mm	8909

RRMJ GASKETED BALANCING DAMPERS

Description	Code
RRMJ gasketed damper - dia. 80 mm × L 170 mm	8910
RRMJ gasketed damper - dia. 100 mm × L 170 mm	8911
RRMJ gasketed damper - dia. 125 mm × L 170 mm	8912
RRMJ gasketed damper - dia. 160 mm × L 170 mm	8914
RRMJ gasketed damper - dia. 200 mm × L 170 mm	8915
RRMJ gasketed damper - dia. 250 mm × L 210 mm	8916
RRMJ gasketed damper - dia. 315 mm × L 210 mm	8917
RRMJ gasketed damper - dia. 355 mm × L 210 mm	8918
RRMJ gasketed damper - dia. 400 mm × L 250 mm	8919



anjos

01230 TORCIEU – Tél. : +33 (0)4 74 37 44 44

anjos.com