

WINDOW INLET(S)  
HUMIDITY-CONTROLLED

**anjos**

inspirer le bien-être

# AIRA HY

5/45 m<sup>3</sup>/h

Slot size : 354 × 12 mm  
Installation on windows



HUMIDITY CONTROLLED VENTILATION



01/01 - CHY1 - 2268/2269  
[www.eurovent-certification.com](http://www.eurovent-certification.com)



# AIRA HY

- Made of white ABS
- Other colors : beige, bronze, light oak, golden oak, dark oak, grey, dark grey, anthracite grey, black and sipo mahogany
- Can be fitted on vertical surfaces and all leaning surfaces (roof windows, under the rolling shutter case, ...)

## Presentation

Used in MEV systems type Hygro B (Atech ALIZÉ 2018), the window inlet AIRA HY is used in association with humidity-controlled and temporized exhaust valves.



AIRA HY windows inlets ensure a variable flow rate of 5 to 45 m<sup>3</sup>/h depending on room humidity levels and for a 20 Pa pressure difference.

When used with a CFA sound-attenuating outer cover, our AIRA HY window inlet(s) ensure 30 dB sound attenuation (Dn,e,w + Ctr  $\geq$  36 dB)

Acoustic performance : **Dn,e,w + Ctr  $\geq$  36 dB**, required if the square meterage of a room divided by the number of window inlet(s) is at least 10 m<sup>2</sup>.

Our window inlet(s) fit on vertical walls and all angled surfaces (e.g. roof windows and undersides of roller shutter hoods).

## Indoors

AIRA HY



The air inlets **AIRA HY** are fixed on the joinery, on a slot size **354 x 12 mm**

L. (mm)	H. (mm)	Thk. (mm)
400	36	32

## Outdoors

CE2A



The outer cover **CE2A** is made in white ABS or on request in all other colours of the range.

Installation is made on sheltered surfaces.

L. (mm)	H. (mm)	Thk. (mm)
400	23	12

CFA



The acoustic outer cover **CFA** is made in white or black pre-painted aluminum or in anodized aluminium.

Installation is made on sheltered surfaces.

L. (mm)	H. (mm)	Thk. (mm)
390	35	45

For additional ducts or accessories, refer to our documentation of M-G self-regulating air inlets.

## Installation

Indoors, the base is fixed on the joinery with **2 screws**.

The air inlet is simply fitted on the base.

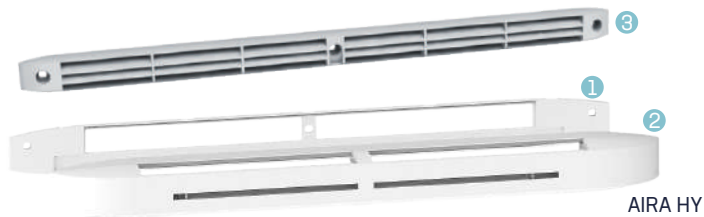
Outside, **AIRA HY** window inlet(s) may be combined with a outer cover fixed with three **CE2A** screws or, for increased acoustic performance, a sound-attenuating outer cover fixed with three **CFA** screws.

Optional screw caps are available to cover the screws on the CE2A outer cover.

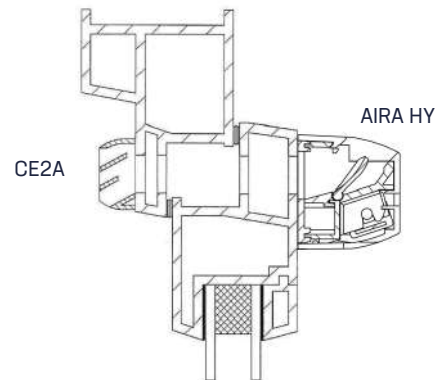
After fixing the outer cover in place, fit the screw caps over the screws. Take care to ensure that the slot on each screw cap is pointing towards the other end of the vent.

The screws and screw caps are available only in some kits (window inlet(s) + outer cover).

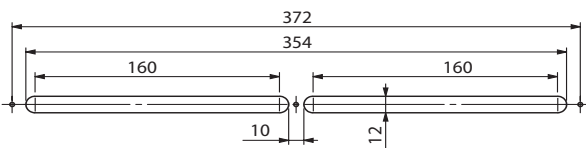
**All the components must remain easily accessible for cleaning.**



- ① Vent
- ② Screw cover
- ③ Outer cover

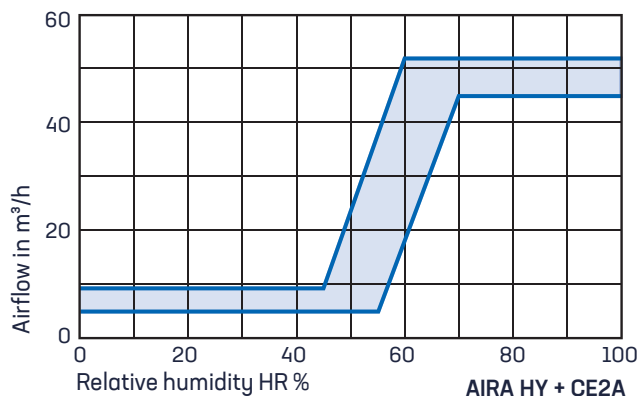


## Slot size



## Characteristics

### Air flow



The curve opposite shows the nominal air-flow characteristics according to the humidity level in the air and for a difference of pressure of 20 Pa.

### Acoustics

Air inlets are characterised by their acoustic performance  $D_{n,e,w}$  (Ctr).

Type	$D_{n,e,w}$ [C]	$D_{n,e,w}$ (Ctr)
AIRA HY + CE2A*	32 dB	34 dB
AIRA HY + CFA	36 dB	37 dB

\*Similar acoustic characteristics without outer cover CE2A.

### Test reports

Technical Opinion on humidity-controlled MEV systems.

### Colours

RAL	9016	1013	8019	1011	8003	8024	7035	7011	7016	9011
	White	BEige	BRonze	Light Oak	Golden Oak	Dark Oak	GRey	Dark Grey	G7	Black
		BE	BR	CC	CD	CF	GR	GF	G7	NO

← Letters to add to the article code (ex : 0690CD)

### Product codes

Description	Code
AIRA HY	0696
Outer cover - CE2A	0146

The above codes for the CE2A window inlet(s) and outer cover refer to the colour white. To order a different colour, add the two letters of the desired corresponding colour to the end of the standard product code.

For example, to order a grey AIRA HY window inlet(s), add 'GR' to end of product code '0696'.

Description	Code
Acoustic outer cover - CFA (aluminium)	0194
Acoustic outer cover - CFA (white)	0195
Acoustic outer cover - CFA (black)	0196