

ROOF VENTS

**anjos**

inspirer le bien-être

# CTP2

Ø 125 and 160 mm

Plastic

Air supply and exhaust

Two colours: terracotta or slate

Lead or recycled PVB flashing



# CTP2

- Malleable lead or recycled Polyvinyl Butyral (PVB) flashing for easy installation
- Plastic cover and connection pipe
- Choice of two colours: terracotta or slate

## Presentation

CTP2 roof vents supply and exhaust air in systems that use mechanical extract ventilation (single and dual flow MEV systems, cooker hoods).



CTP2 roof vents fit on virtually any tile or slate roof and feature malleable lead or PVB flashing to prevent water penetration.

They are available in two colours: terracotta or slate.

Terracotta



Slate



## Installation

Before installation, it is advisable to apply patina oil to the lead flashing only to prevent any dirt on the surrounding tiles.

Shape the flashing ⑤ by moulding it against the surface of the roof (avoid pressing on the edges of the crimping).

In the case of a tile roof, lay shims in the direction of the battens to support the lead or alternative flashing at points A and B.

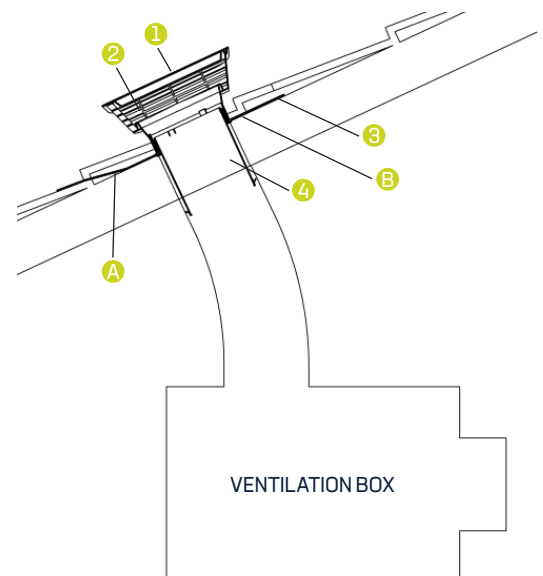
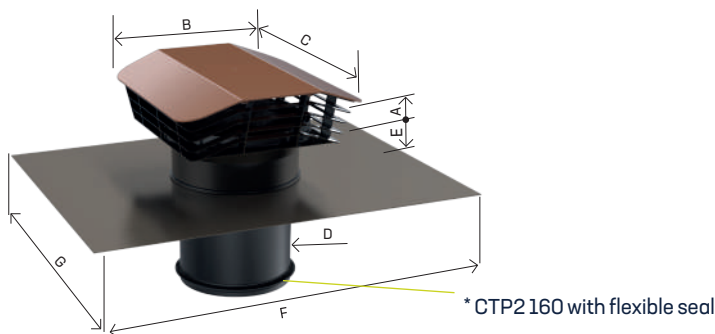
For better sealing of the PVB flashing, use a high-adhesion hybrid MS polymer.

Install the rain cover with the solid part oriented towards the ridge (see figure below).



Water may leak in through the roof vents if they are fitted on roofs exposed to wind loads and are used to supply air or are used intermittently. It is therefore important to check the seals between the pipe and the ventilation box and the pipe and the roof vent.

- 1 Rain cap
- 2 Protective screen
- 3 Lead or recycled PVB flashing
- 4 Connection pipe
- 5 Shims in the direction of the battens

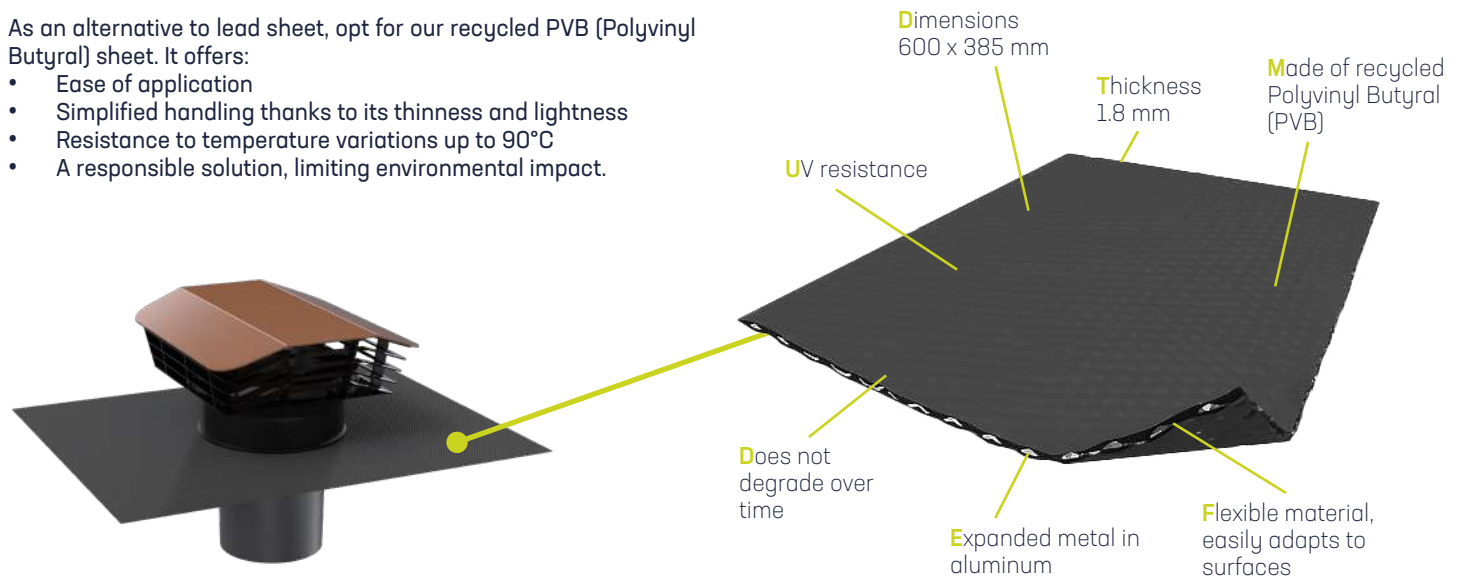


	A (mm)	B (mm)	C (mm)	D (mm)	E (mm)	F (mm)	G (mm)	H (mm)	Weight (kg)
CTP2 125 - Lead	83	245	287	125	57	600	385	140	3,0
CTP2 160* - Lead	83	245	287	160	57	600	385	140	3,0
CTP2 125 - PVB	83	245	287	125	57	600	385	140	1,3
CTP2 160* - PVB	83	245	287	160	57	600	385	140	1,3

## Recycled alternative material

As an alternative to lead sheet, opt for our recycled PVB (Polyvinyl Butyral) sheet. It offers:

- Ease of application
- Simplified handling thanks to its thinness and lightness
- Resistance to temperature variations up to 90°C
- A responsible solution, limiting environmental impact.



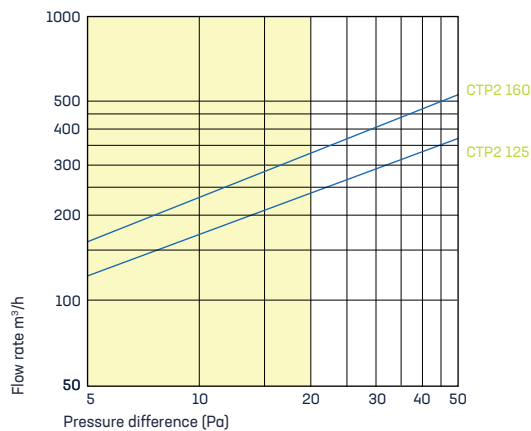
## Characteristics

### Airflow

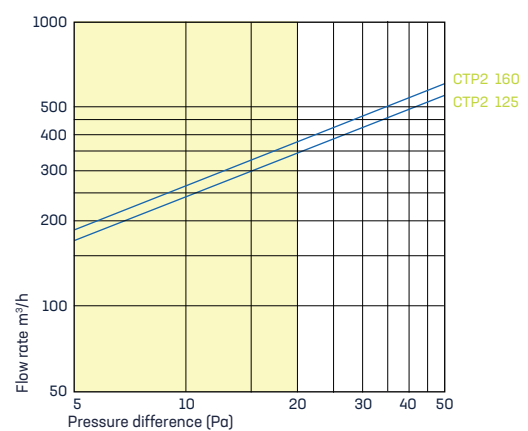
Changes in the flow rates as a function of the pressure differential, expressed in Pascals.

The product maintains its performance regardless of the material of the sheet (lead or recycled PVB)

Air exhaust



Air supply



The tables below give the recommended maximum flow rates at 20 Pa for each roof vent as well as the cross-sections of the air channels in the pipes and through the screens.

	Flow rate 20 Pa (m³/h)		Cross-section in mm²	
	Air exhaust	Air supply	Pipe dia.	Screens
CTP2 125	240	350	125	36000
CTP2 160	330	380	158	36000

## Product codes

Designation	Code	Packg.
CTP2 125 terracotta Lead flashing 600 x 385	3012	54
CTP2 160 terracotta Lead flashing 600 x 385	3014	54
CTP2 125 slate Lead flashing 600 x 385 mm	3062	54
CTP2 160 slate Lead flashing 600 x 385 mm	3064	54

Designation	Code	Packg.
CTP2 PVB 125 terracotta Recycled PVB flashing 600 x 385	3018	54
CTP2 PVB 160 terracotta Recycled PVB flashing 600 x 385	3020	54
CTP2 PVB 125 slate Recycled PVB flashing 600 x 385 mm	3068	54
CTP2 PVB 160 slate Recycled PVB flashing 600 x 385 mm	3070	54



**anjos**

01230 TORCIEU – Tél. : +33 (0)4 74 37 44 44

[anjos.com](http://anjos.com)

**RE 2020**  
RÈGLEMENTATION ENVIRONNEMENTALE

Our product complies with the environmental regulations for construction RE2020.